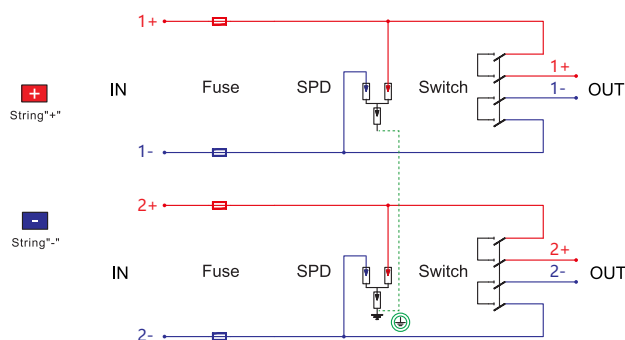


Solar DC String Box

DC 1000V / 32A, 2 in 2 out



Projoy DC Strings / Combiner Boxes For Residential Rooftop PV plants (≤ 4 strings)

General Data		DC Surge Arrester	
Model No.	PEJB-2-2	Max Operation Voltage(Ucpv)	1000V
Input	2 String	Standard Compliance with	EN50539
Output	2 String	Maximum Discharge Current	40KA
Maximum Voltage	1000V	Type	2
Max DC Short Circuit Current Per Input	15A (changeable)	Certification	TUV, CE, CB
Maximum Current Output	32A		
Enclosure		DC fuse holder	
Material Type	Polycarbonate/ABS	Rated Working Voltage	1000V
Degree of Protection	IP65	Rated Working Current	15A~32A
Degree of Resistance to Impacts	IK10	Fuse Link	10×38mm
Dimension (WxHxD)	381×230×110mm (12P)	Certification	CB, CE
Cable Input Entry	Cable Gland ∅ 4-8mm or MC4		
Cable Output Entry	Cable Gland ∅ 4-8mm or MC4		
DC Switch Disconnecter		Environment	
Rated Insulation Voltage(Ui)	1000V	Operating Temperature	-20 ℃ ~+60 ℃
Rated Current(Ie)	32A	Humidity	99%
Category	DC21B/PV1	Altitude	2000M
Standard Compliance with	IEC60947-3	Installation	Wall Mounting
Certification	UL, TUV, SAA, CE, CB		

Projoy Electric Co., Ltd.

Add: 2nd Floor, Building 3, No. 2266, Taiyang Road, Xiangcheng District, Suzhou, China

Web: en.projoy-electric.com

Tel: +86-512-6878 6489

Email: sales@projoy-electric.com