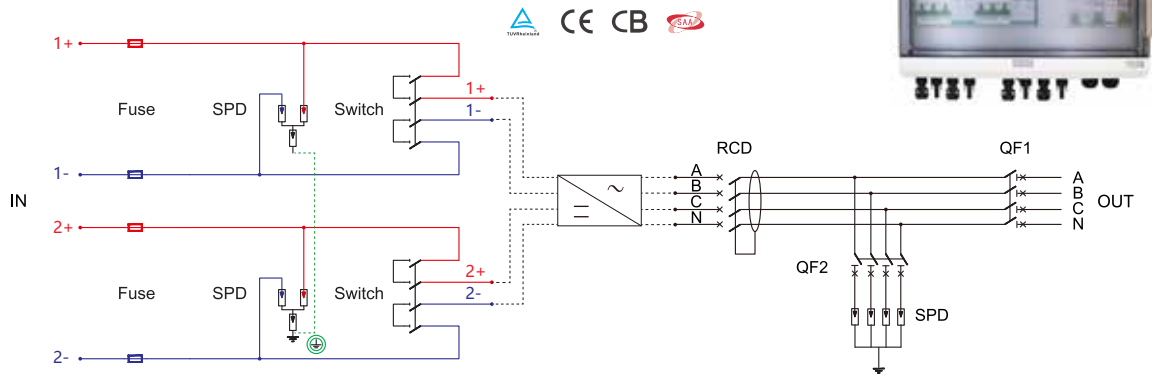


### Solar DC&AC Distribution Box AC 400V / 20 & 40A



### Projoy DC&AC Distribution Boxes For C&I Rooftop PV Plants ( $\geq 6$ strings, $\geq 30$ kW)

#### General Data

Model No.	PEJDB2-2/T10	PEJDB2-2/T20	
AC Nominal Voltage	400 VAC	400 VAC	
AC Nominal Current	20 A	40 A	
<b>DC Surge Arrester</b>		<b>AC MCB</b>	
Max Operation Volatage (Ucpv)	1000V	Poles	4P
Standard Compliance With	EN50539 Type 2	Nominal Current	20 A      40 A
Maximun Discharge Current	40kA	Nominal Voltage	400 VAC
Certification	CE	Breaking Capacity	6kA
<b>DC Fuse Holder</b>		<b>AC SPD</b>	
Rated Working Voltage	1000V	Nominal Voltage	440 VAC
Fuse Link	10*38mm 15-32A	Max. Discharge Current	40 kA
Certification	CE	Poles	4P
<b>DC Switch Disconnecter</b>		<b>AC RCCB</b>	
Rated Insulation Voltage (Ui)	1000	Poles	4P
Rated Current (Ie)	32 A	Nominal Current	40 A
Category	DC21B/PV1	Nominal Voltage	400 VAC
Standard Compliance With	IEC 60947-3	Type	AC(A Optional)
Certification	TUV, SAA, CE	Residual current	30mA(100mA/300mA Optional)
<b>Enclosure</b>		<b>Environment</b>	
Material Type	PC+ABS	Certification	CE
Ingress Protection Rating	IP65	Operating Temperature	-20 C ~+60 C
Impact Protection Rating	IK10	Humidity	99%
Poles	18P	Altitude	2000M
DC Input / Output	cable gland $\varnothing$ 4-8mm or MC4	Installation	Wall Mounting
DC Input / Output	cable gland $\varnothing$ 10-14mm		

#### Projoy Electric Co., Ltd.

Add: 2nd Floor, Building 3, No. 2266, Taiyang Road, Xiangcheng District, Suzhou, China

Web: en.projoy-electric.com

Tel: +86-512-6878 6489

Email: sales@projoy-electric.com