



## SPARE PARTS CATALOG

SILENTWIND

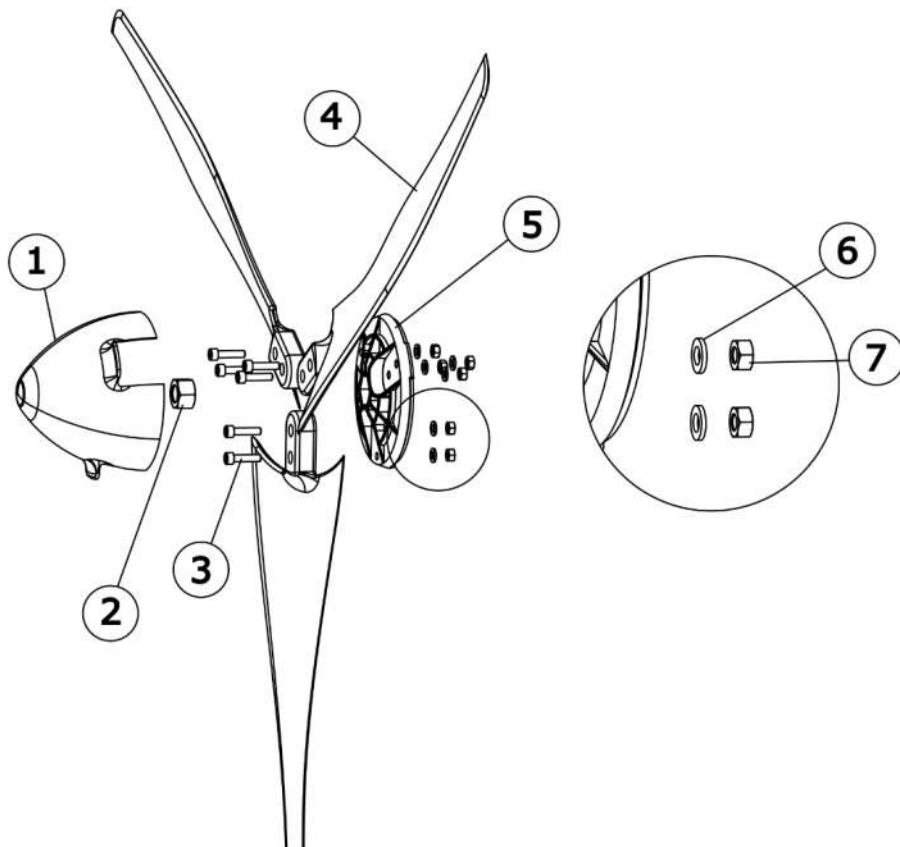
12V / 24V / 48V



# Index

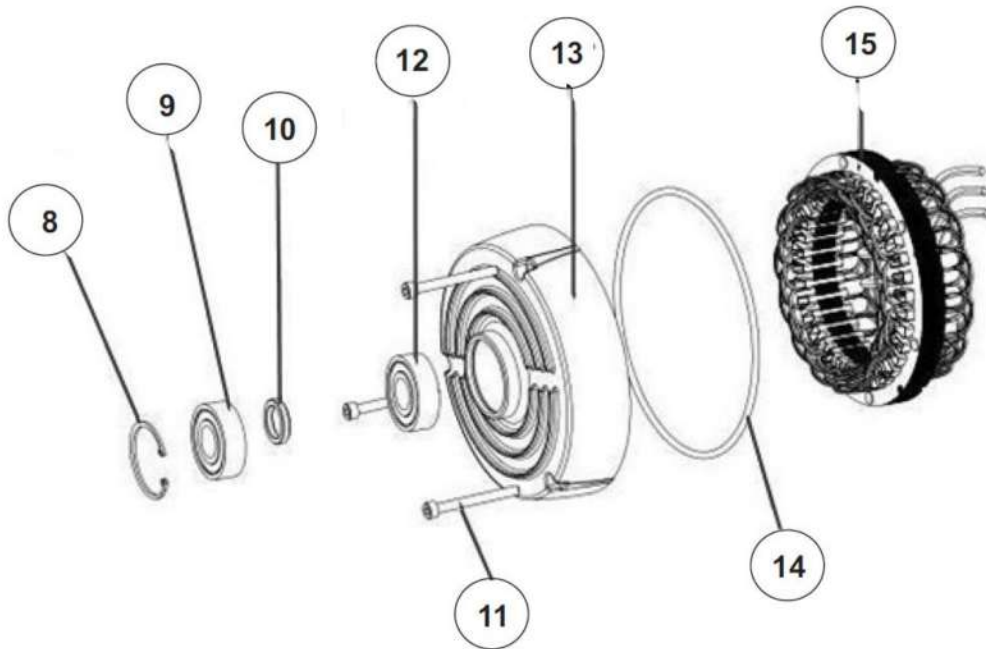
Index.....	2
1. Blades and Assembly Hub .....	3
2. Front Cap and Generator .....	4
3. Rotor.....	5
4. Slipping Ring Unit and PCB .....	6
5. Generator Body .....	7
6. Yaw Shaft and Slipping Ring .....	8
7. Hybrid Controller .....	9
8. Accessories and Packing.....	10
9. Price information.....	10

# 1. Blades and Assembly Hub



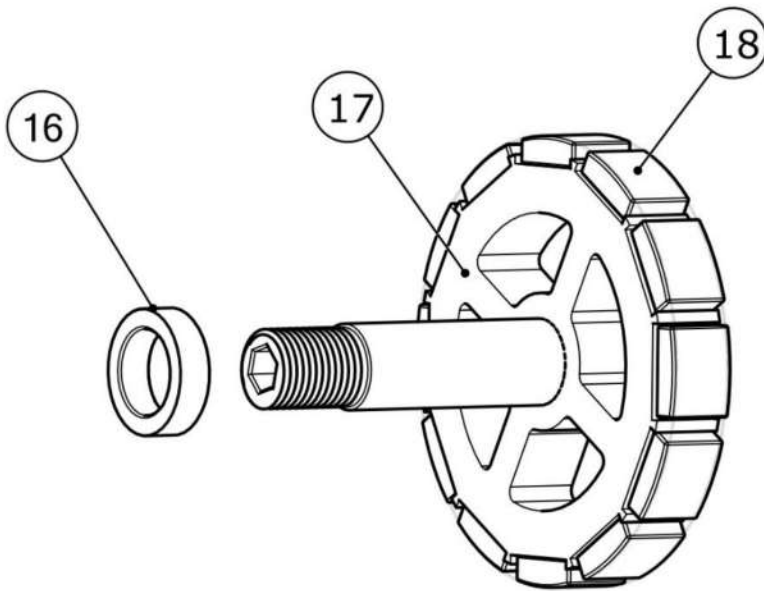
Order- nr.	Pos.	Designation
SW101	1	Nosecone
SW102	2	Nut M16, stainless
	3	Screw M6 x 22, stainless
SW103	4	Silent Power Blades spb
SW104		Kit rotor blades Silent Power Blades spb consisting of: 3x pos.4
SW105	5	Assembly hub, aluminum powder coated
	6	Plastic washer, corrosion preventing
	7	Nut M6, self-locking, stainless
SW106		Screw - kit for rotor blade-fixation consisting of: 6x pos. 3, 6x pos. 6, 6x pos. 7
SW107		Assembly hub inclusive screw-kit consisting of: 1 x pos. 5, 6x pos. 3, 6x pos. 6, 6x pos. 7

## 2. Front Cap and Generator



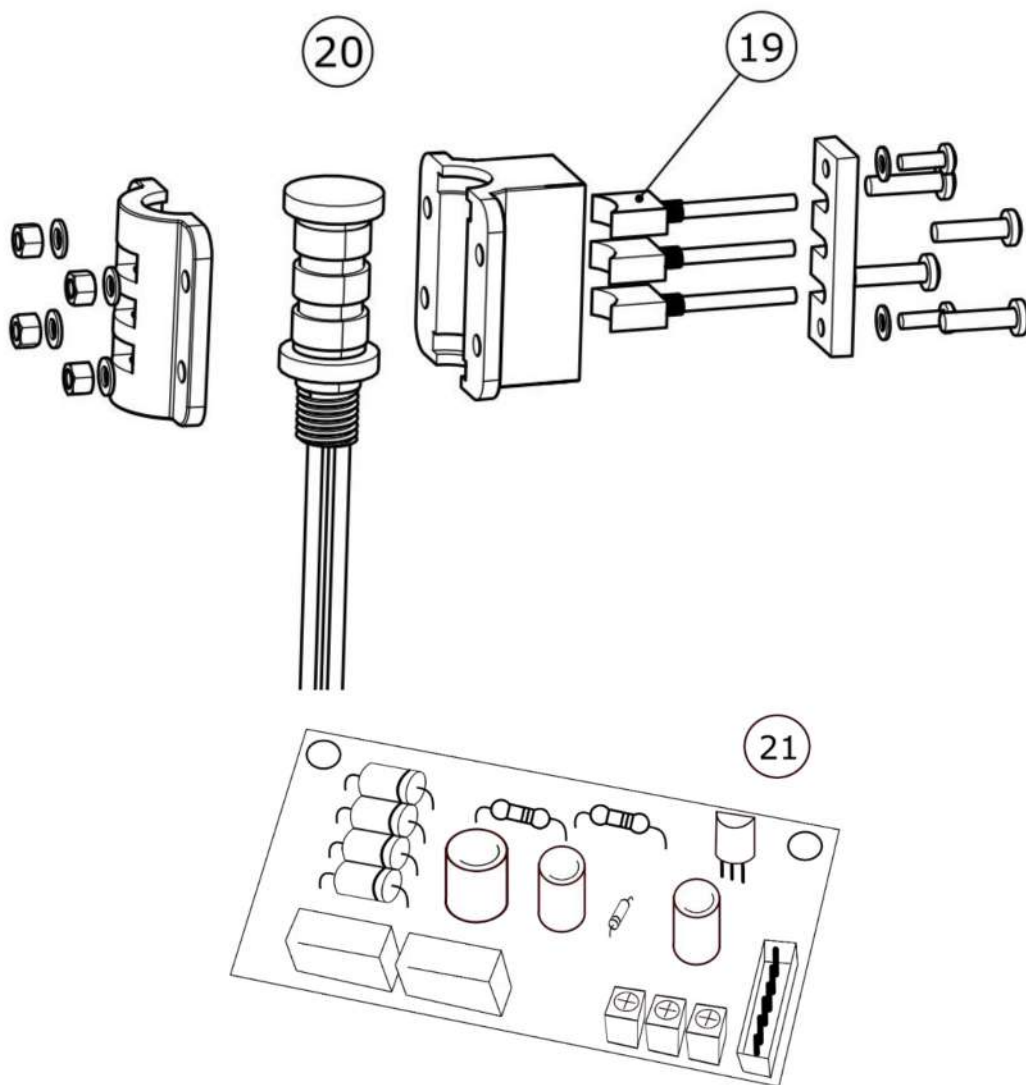
Order-nr.	Pos.	Designation
	8	Snap ring
	9	Outer front bearing, 6203 2RZ, water protected
	10	Distance gasket 4mm
SW201	11	Screw M5 x 50, stainless
	12	Inner front bearing 6203 2RZ, water protected
	13	Front cover
SW202	14	O-ring
	15	Generator stator
SW203		Rotor-bearing - kit consisting of: 1x pos. 8, 1x pos. 9, 1x pos. 10, 1x pos. 12
SW204		Generator complete: consisting of: 1x pos. 13, 1x pos. 14, 1x pos. 15, 1x SW203

### 3. Rotor



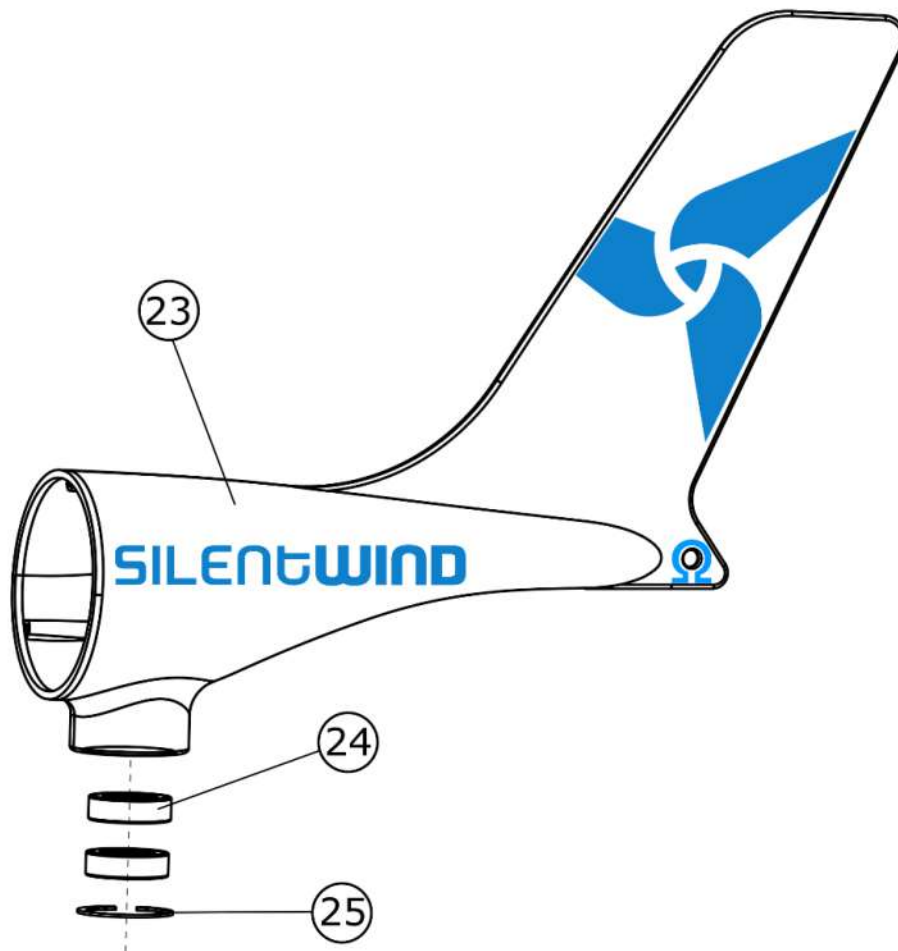
Order- nr.	Pos.	Designation
	16	Washer 7mm
	17	Generator rotor
	18	NdFeB – Magnet
SW301		Rotor complete consisting of: 1x pos. 16, 1x pos. 17, 12x pos. 18

## 4. Slipping Ring Unit and PCB



Order- nr.	Pos.	Designation
	19	Brushes - set 3 pcs.
	20	Slipping ring unit
SW402	21	PCB

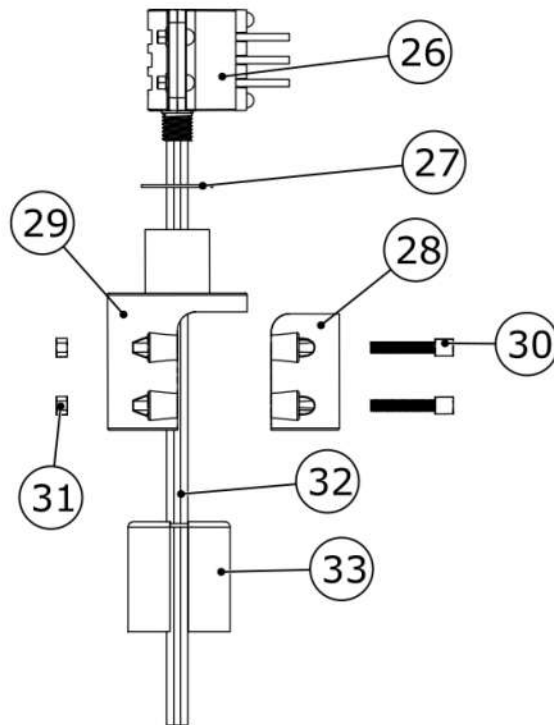
## 5. Generator Body



Order- nr.	Pos.	Designation
SW501	23	Generator body, powder coated, with SW502
	24	Body bearing 6007 2RZ C2
	25	Snap ring
SW502		Body bearing - kit consisting of: 2x pos. 24, 1x pos. 25



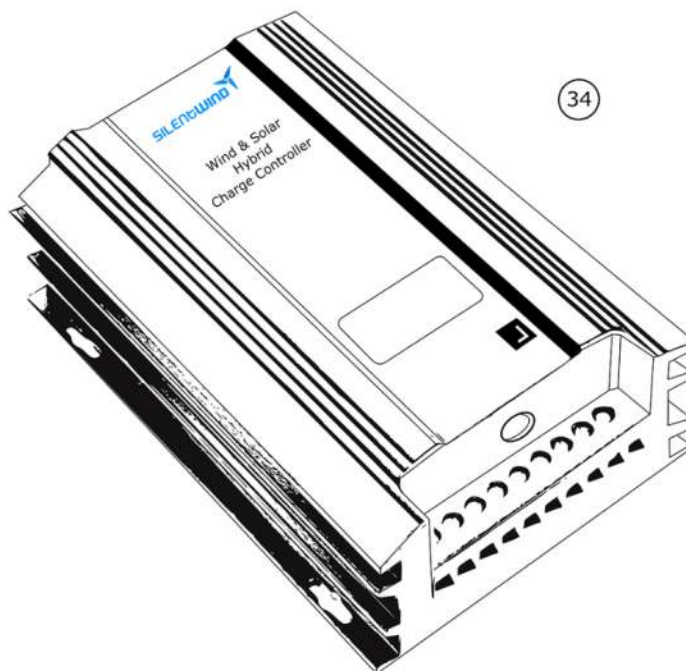
## 6. Yaw Shaft and Slipping Ring



Order- nr.	Pos.	Designation
	26	Slipping ring unit complete
SW601		Slipping ring unit - with cable, consisting of: 1x pos. 26, 1x pos. 32
	27	Yaw shaft snap-ring
	28	Yaw clamp, aluminum, powder coated
	29	Yaw body, aluminum, powder coated
	30	Screw M6 x 35, stainless
	31	Nut M6, self-locking, stainless
	32	Cable UL1015 12AWG
	33	Damping rubber pad
SW602		Yaw shaft – kit, consisting of: 1x pos. 27, 1x pos. 28, 1x pos. 29, 4x pos.30, 4x pos. 31, 1x pos. 33

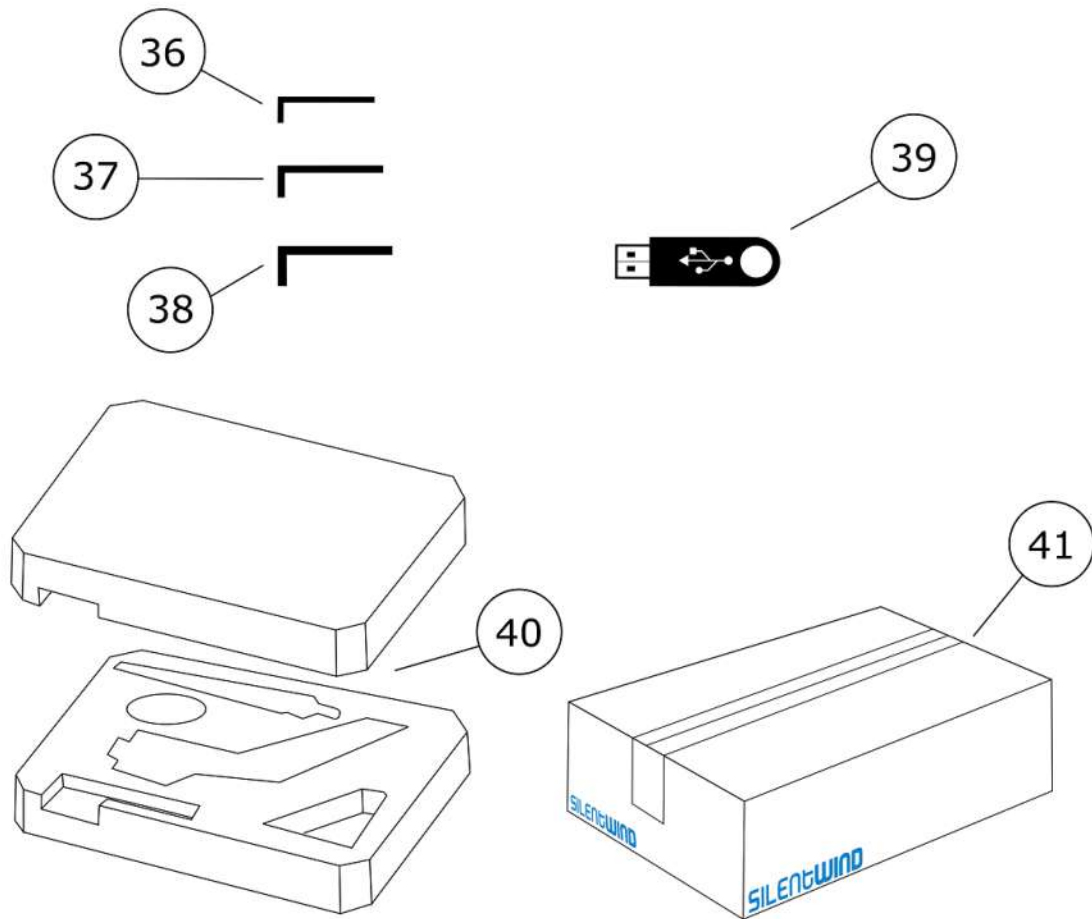


## 7. Hybrid Controller



Order- nr.	Pos.	Designation
SW 701	34	Hybrid-controller HYBRID BOOST - 12V / 24V
SW 701	34	Hybrid-controller HYBRID BOOST - 48V

## 8. Accessories and Packing



Order- nr.	Pos.	Designation
SW901	36	Hex key 4mm
SW902	37	Hex key 5mm
SW903	38	Hex key 8mm
SW906	39	USB Pen – w/ Manuals & Videos
SW909	40	Packing foam
SW910	41	Carton box

## 9 Price information



**Prices are subject to change without notice.**



Rulis Electrica, Unip. Lda.  
Loteamento Industrial de Linhares, Lote 19  
PT-4805-486 Santo Estevão de Briteiros / Guimarães  
Portugal

Tel. 00351-253-572763  
Fax 00351-253-572764  
Tm/Handy 00351 96 790 79 33

Site: [www.silentwindgenerator.com](http://www.silentwindgenerator.com)

General email: [info@silentwindgenerator.com](mailto:info@silentwindgenerator.com)

Sales e-mail: [Sales@silentwind.com](mailto:Sales@silentwind.com)

Support e-mail: [Support@silentwind.com](mailto:Support@silentwind.com)