

LogiLink®



Ergonomic Monitor Stand
with Smartphone and Tablet Holders

Art. No.: BP0140



A Perfect Ergonomic Workspace

Raise the monitor to the best viewing height with storage space under the monitor stand; helping to build a more comfortable and clean environment for work.

 25KG
Weight Capacity

 Ergonomic

 Non-Slip

 Storage

42/47/52 cm
Width



Customize to Your Monitor Size

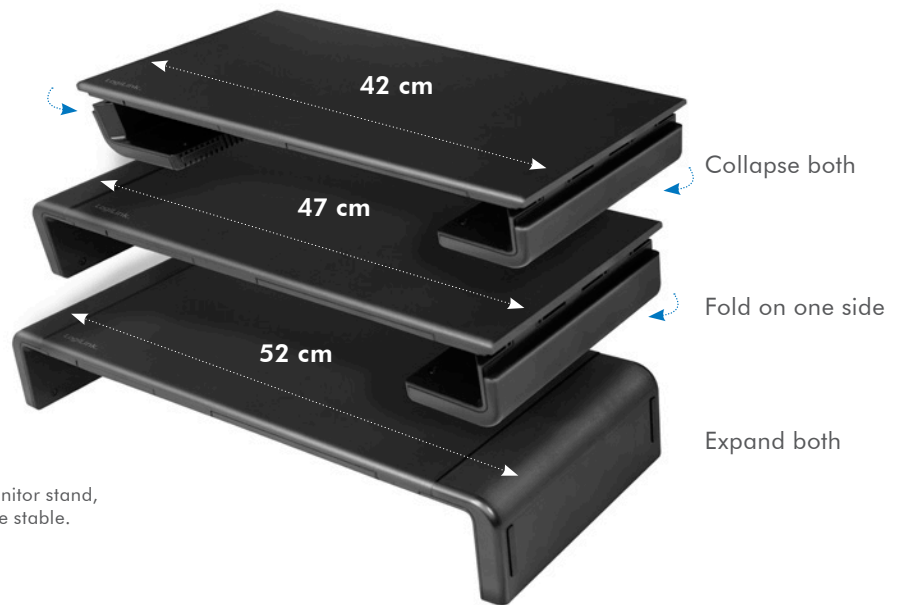
The foldable design that allows you to adjust the width (42 cm/47 cm/52 cm) according to your needs.

Sturdy & Durable Construction

The high-quality metal and plastic stand with non-slip feet ensures durability and stability; supports weights up to 25 kg.



*When placing objects over 15 kg on the monitor stand, be sure to expand both legs so it will be more stable.



Ergonomic & Comfortable Design

Raise the monitor to take the strain off of your neck and create better posture to increase work productivity.



Keep Your Desk Tidy & Clutter-free

Conveniently put your phone or tablet on the holders; the bottom of the stand can store a keyboard and mouse. The drawer design is great for storing small items, keeping the desktop clean and organized.



RoHS
compliant

*The specifications and pictures are subject to change without prior notice.
*All trade names referenced are the registered trademarks of their respective owners.

LogiLink®



Ergonomic Monitor Stand with Smartphone and Tablet Holders

Art. No.: BP0140

Specifications:

Weight Capacity	25 kg
Width Adjustable Level	3 levels: 42 cm/47 cm/52 cm
Material	Metal and ABS Plastic
Color	Black
Dimensions	42x20x8 cm
Weight	1.3 kg

Package Contents:

- » 1x Monitor Stand
- » 1x User Manual

Package Information:

- » Packing Dimension: 436x206x83.5 mm
- » Packing Weight: 1.53 kg
- » Carton Dimension: 455x270x450 mm
- » Carton Q'ty: 6 pcs
- » Carton Weight: 9.5 kg



*The specifications and pictures are subject to change without prior notice.
*All trade names referenced are the registered trademarks of their respective owners.



BP0140



Made in China